



OH1010 Overhead Air Purification System

Installation Instructions & Consumer Information



The Dynamic OH1010 Overhead Air Purification System will remove the smallest sub-micron particles (97% at .3 microns) in addition to odors and gasses and offers an excellent solution in applications where tobacco smoke is present. Polluted air is drawn in through the bottom return grille and purified air is expelled through the cabinet side louvers.

Model OH1010-B includes an on-board "high/low/off" switch, convertible to OH1010-R.			
Model OH1010-R shipped with one (1) wired wall control. Controls up to four (4) units.			
Airflow capacity:	750 cfm (max)	Cabinet:	light gray enamel
Electrical Input:	110/220/240VAC, 50/60Hz	Weight:	45 lbs. (20kg)
Power Consumption:	400W (max)	Speeds:	2 speed
Noise Level @ 1m:	52 db (low), 62 db (high)		

Section I. Sizing

For any air cleaner to be effective, it must be able to remove airborne contaminants faster than they are generated. This is accomplished with a sufficient number of air changes through the air cleaner. The recommended number of air changes will vary with the contaminant level of the application and the desired fan speed. Air changes per hour = cfm x 60 / square feet.

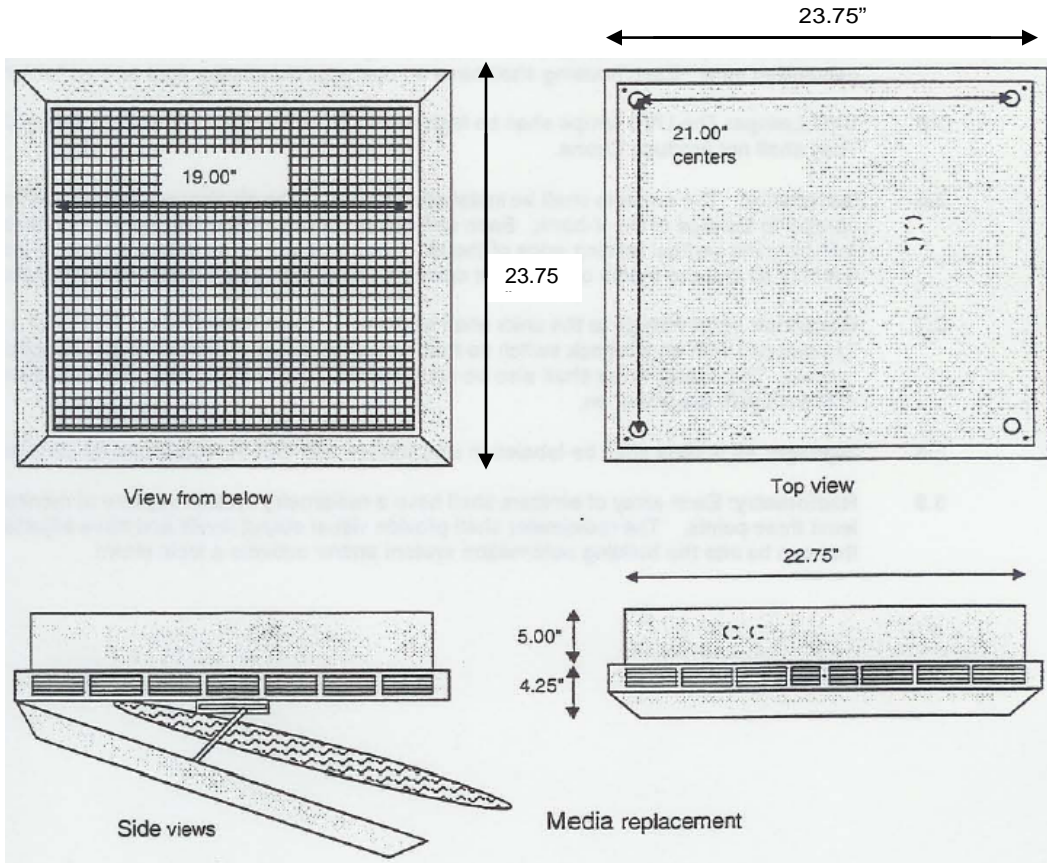
Recommended air changes:

Conference room with occasional smoke.....	6-8 per hour
Bar or restaurant (smoking).....	10-12 per hour
Smoking room / Bingo Hall / VFW Hall	14-16 per hour

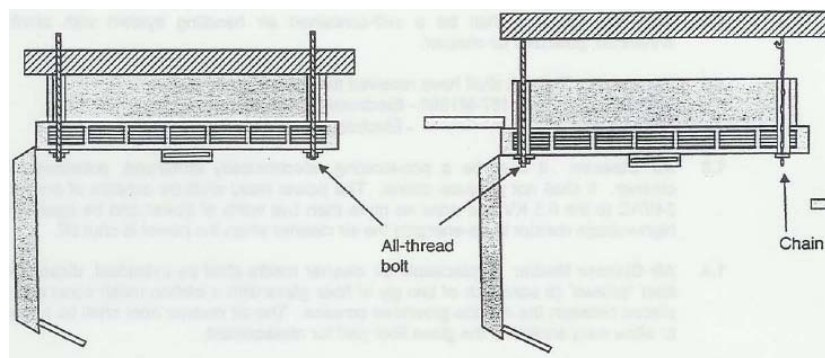
Example: In an 400 square foot conference room, the unit will run on low speed for maximum quiet (500 cfm). $500 \times 60 = 3000 / 400 = 7.5$ air changes per hour.

In many applications, one inch or two inch polarized-media Dynamic Air Cleaners are applied to the air handlers in the central heating and cooling system and OH1010 units are used to supplement the general air change rate in heavy use areas, such as over the bar area in a restaurant.

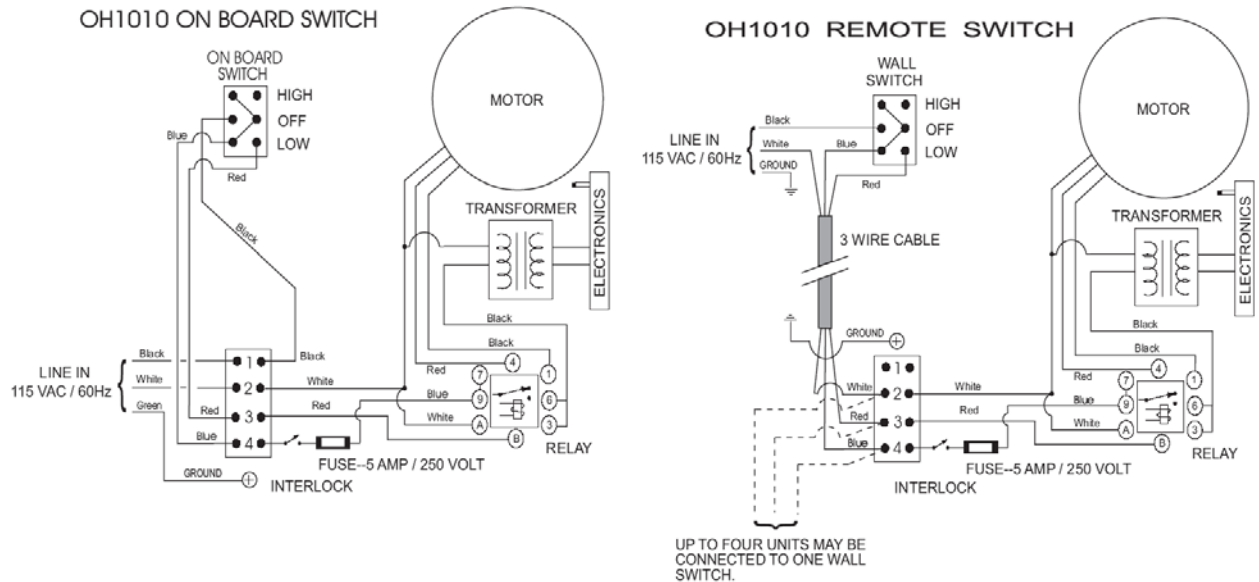
Section II. Installation



1. Remove the unit from its carton. Be sure to remove and discard all packing material. Place the unit on a level surface with the grill side facing up.
2. Open the lid by depressing the button on the side of the unit. Lift the grill and remove the two press-in plugs in the tracks for the grill arms.
3. Remove the grill arms by pushing the roller wheels through the track. Open the lid fully.
4. Remove the two screws holding the ground screen. Pull the screen out of the slots.
5. Using a 5/32" Allen wrench, remove the fan from the motor shaft.
6. Power to the unit can be run through one of the electrical knock-outs provided in the cabinet. Follow local electrical codes and ordinances.
7. The unit can now be mounted either partially recessed into a drop ceiling, with 4.25" exposed, or fully exposed on a hard surface, with 9.25" of total depth exposed. The unit can be suspended using threaded rod or chain and hooks, or can be mounted directly to a surface with lag bolts and washers. The OH1010 can be mounted vertically on a wall.



Section III. Wiring



NOTE: ONLY A QUALIFIED ELECTRICIAN SHOULD PERFORM ELECTRICAL WIRING.

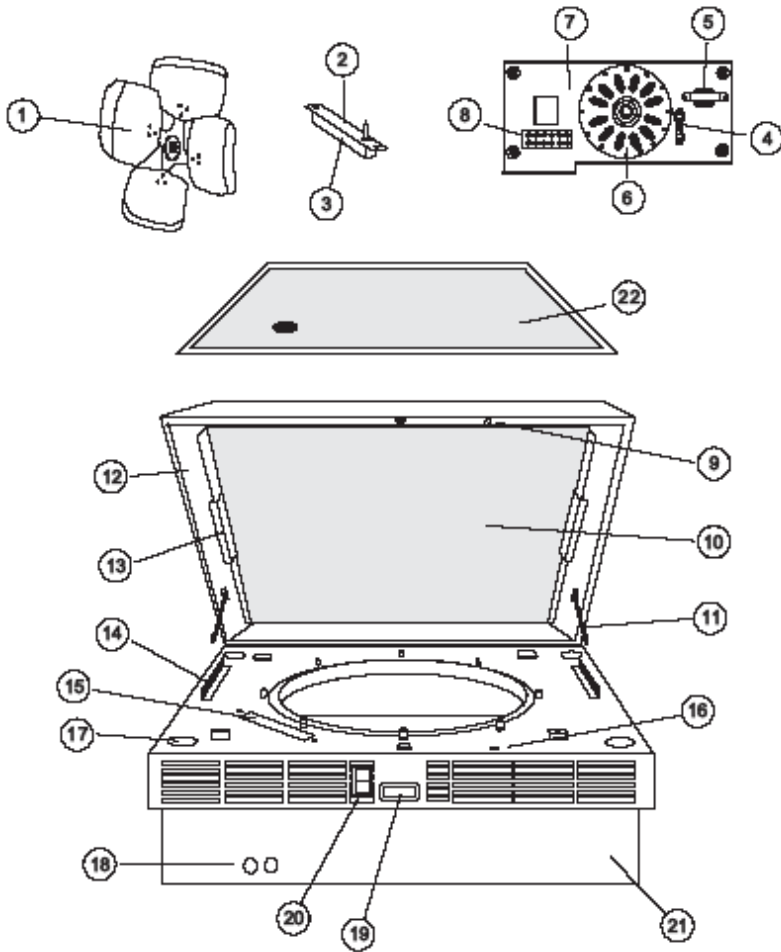
Section IV. Maintenance and Media Pad Replacement

Media pads generally last 3-4 months, depending on conditions. In a new installation, however, it is suggested that the media pad be inspected and/or replaced after one month of operation due to the initial cleanup of contaminants. Replacement Media Pads are available from your heating and air conditioning contractor.

WARNING: FAILURE TO CHANGE THE MEDIA PAD ON A REGULAR BASIS COULD REDUCE AIRFLOW AND CAUSE DAMAGE TO THE UNIT AND VOID THE UNIT WARRANTY.

1. Holding the grill with one hand, press the door latch button with the other hand. The interlock safety switch will shut off the unit. Lower the grille slowly.
2. Wait 2-3 seconds before handling the unit or media to allow any residual charge to dissipate.
3. Remove the dirty replacement media and dispose of carefully. A plastic garbage bag works well.
4. If dust has accumulated on the inside of the unit, clean with a dry brush or vacuum. The grille can be removed by pulling the two plastic retainers off the rail and lifting out.
5. Position the new replacement media pad so that it is centered within the air cleaner frame.
6. Close and re-latch the grille. NOTE: If the grill is removed during replacement, make sure that the grill is replaced so that the plastic insulator covers the end of the high voltage electrode.
7. Because of variations in humidity and temperature, the new media pad may make a slight snapping sound when first installed. This is normal and should stop within 24 hours.

Section V. Replacement Parts



1. Fan Blade
2. Electronics Cover Plate
3. Electronics
4. Fuse (250V / 5Amp)
5. Transformer
6. Motor
7. Motor Mounting Plate
8. Terminal Block
9. Interlock Plunger
10. Aluminum Grill
11. Lid Support (2)
12. Lid
13. Grill Retainer
14. Slider Track
15. Electronics Well
16. Interlock
17. Mounting Holes (4)
18. Electrical Knockouts
19. Lid Release Button
20. Onboard Switch (Optional)
21. Cabinet
22. Fan Screen

**FOR TECHNICAL SUPPORT
Call (800) 578-7873**

Dynamic Air Quality Solutions
P.O. Box 1258
Princeton, NJ 08542
Tel: (800) 578-7873
Fax (609) 924-8524
www.DynamicAQS.com

Specifications are subject to change without notice. Dynamic and Dynamic Air Quality Solutions are registered trademarks of Environmental Dynamics Group, PO Box 1258, Princeton, NJ 08542